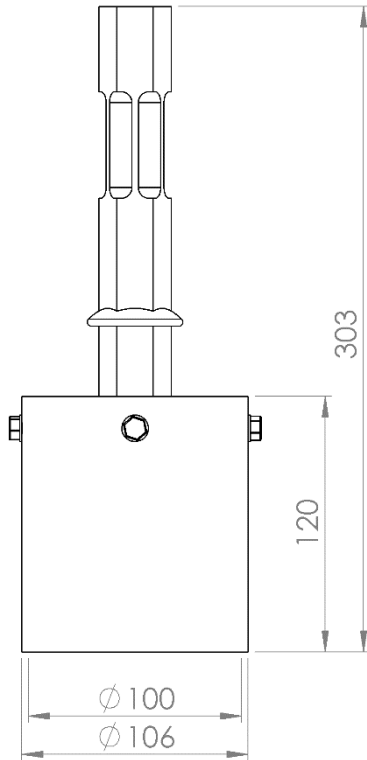


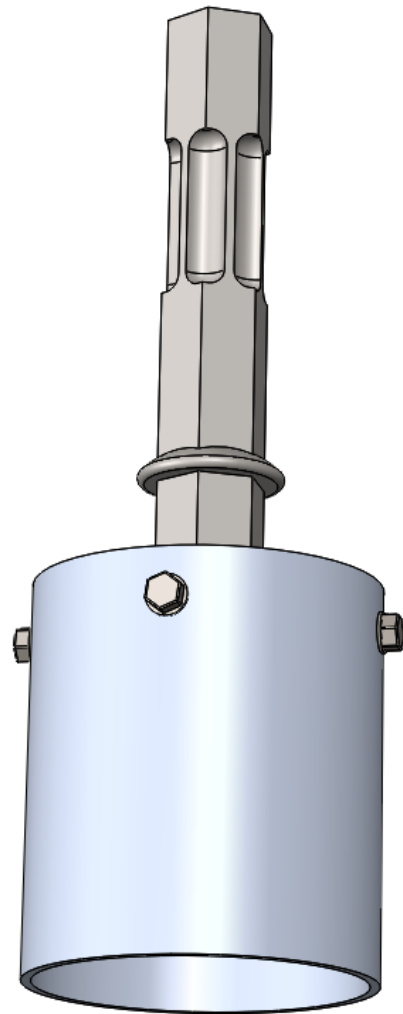
40194: Adapter TE-H



Adapter for forming machine with TE-H. To drive down Pick with post level and groundspear with a forming machine.

Weight: 2,0 kg

Material: Stainless steel / Aluminum



DATA SHEET

